



R10 Ring Type 2D Scanner

Brief Introduction

R10 is a fashion style high performance wearable 2D barcode scanner. It can scan the barcode on paper and merchandise easily. Armed with wireless Bluetooth technology, the transmission distance can reach 30m in outdoor environment. It can be used in qr code payment, merchandise code scan and warehouse inventory checking.

Produce Features

- >high performance scan engine
- >Armed with high performance MCU, it can scan easily all mainstream 1D and 2D barcode;
- >Easily scanning 3mil barcode, meeting the requirement of most cases;
- >The R10 can scan the code printed on paper, plastic and phone screen code;
- >Supports Bluetooth 4.2 and the transmission distance can reach 30m in outdoor and it can be connected to PC directly;
- >Supports multiple working mode (storage mode, simotaneous mode) to meet different scanning requirement;
- >Supports bluetooth HID, SPP, BLE mode to meet diverse requirement;
- >Suppots virtual Bluetooth mode, which means it can be connected to PC to use directly, no need to install Bluetooth driver;
- >Supports simotaneous mode, which is scan and update at the same time; it can store 20,000 codes;
- >Suppots online upgrade, customized and secondary development;
- >Supports displaying time.

Application

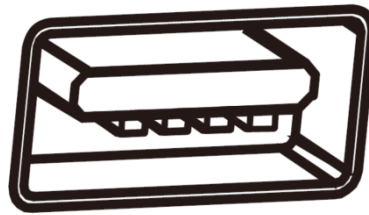
QR code payment, membership cards scan, retailers, logistics, manufacture, warehouse and logistics, warehouse management, food tracking, electrical meter, property checking, hospitals, etc.



Interface

The wireless scanner must be connected with a host machine, which can be PC, android machine or other intelligent terminal which has USB pr Bluetooth interface.

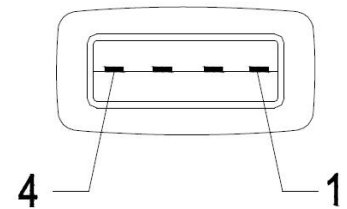
Host USB interface 【USB female connector】



Wire interface

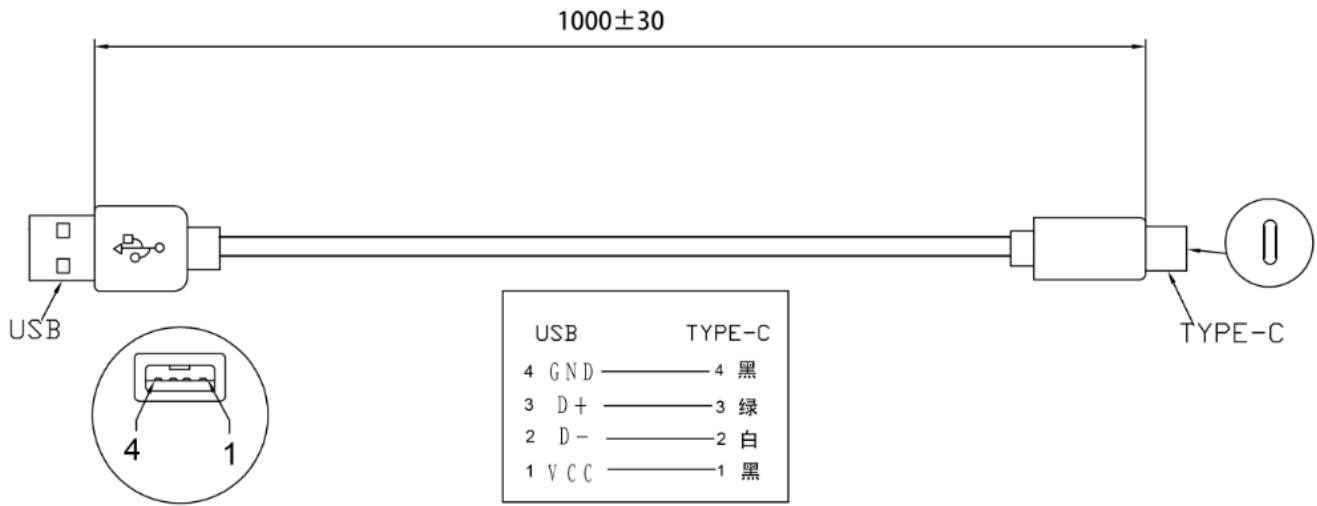
USB cable interface

Pin No.	Function
1	Vcc
2	D-
3	D+
4	GND



Wire image

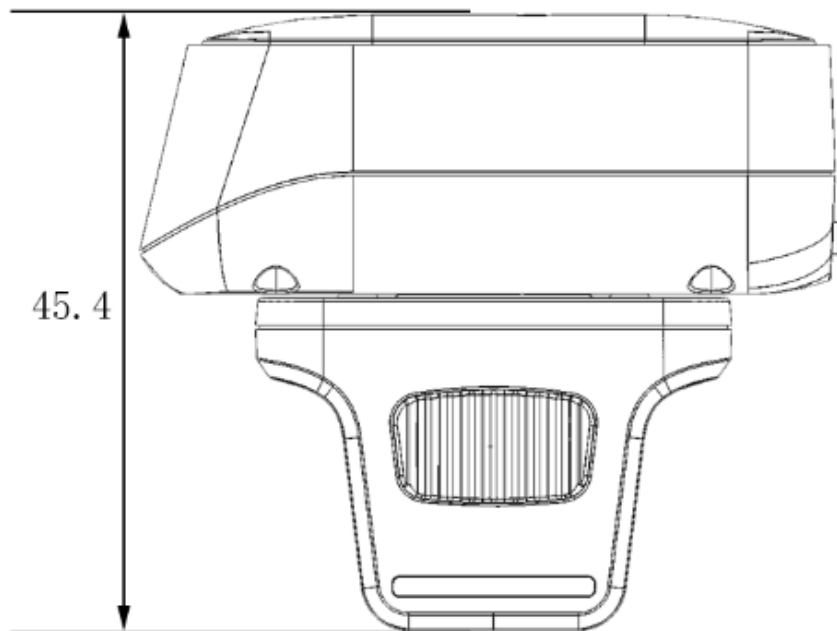
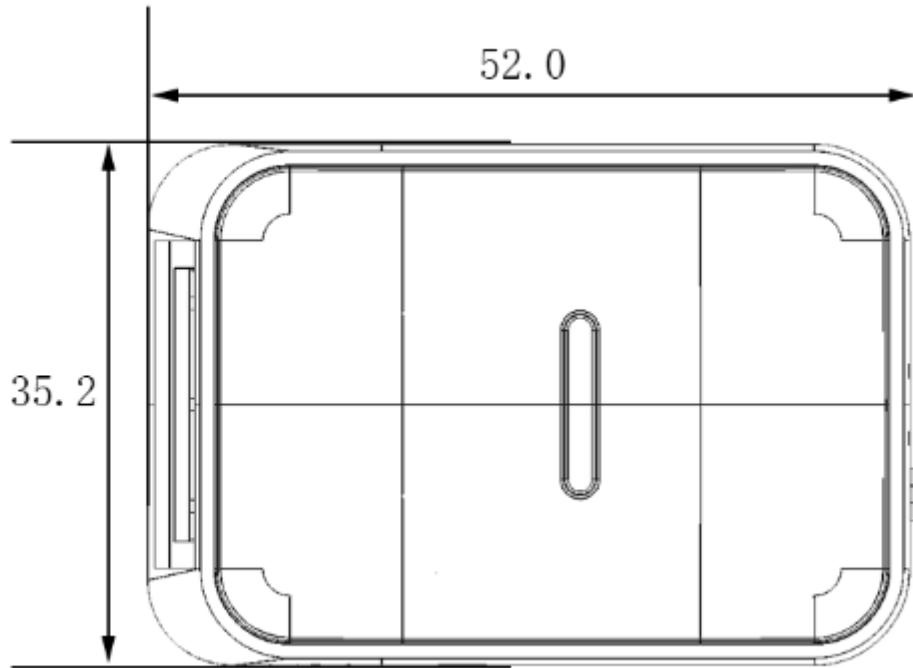
Type-C USB cable



Note: this cable can be used for wireless charging and USB communication.

Dimensions

unit: mm



Performance

Communication	USB-KBW, wireless Bluetooth
Image sensor	CMOS
Resolution	300,000 pixels, 640*480
Resolution	≥3mil/0.076mm (PCS90%,CODE 39)
Depth of field	30mm~500mm (depending on different barcode)
Decode speed	65CM/S
Scan mode	Manual trigger; auto sense; continuous mode
Notification	LED, beeper, vibrator
FOV	41° * 31°
Scan angle	<i>Test Conditions: CODE39,10mil/0.25mm,PCS90%</i>
	Roll: ±360°; Pitch:±60°; Skew: ±55°
Print contrast:	≥20%
Environmental brightness:	Dark environemtn, indoor natural light
Symbologies	1D: UPC-A, UPC-E, EAN-8, EAN-13, Code 128, GS1-128, Code 39, Code 32, Code 93, Code 11, Interleaved 2 of 5, Matrix 2 of 5, Industrial 2 of 5(Straight 2 of 5), Standard 2 of 5 (IATA 2 of 5), Codabar (NW-7), MSI, GS1 Databar(Omnidirectional, Limited, Expanded), China Post, Tepepen, Febraban 巴西银行码, GS1 Composite etc. 2D: QR Code, Micro QR Code, Data Matrix, PDF417, Micro PDF 417, MaxiCode, Aztec, HanXin Code, etc.

Wireless Specifications

Wireless communication mode	Simotaneous mode; storage mode
Communication	USB-KBW, Bluetooth (HID, SPP, BLE), Virtual bluetooth
Wireless standard	Bluetooth 4.2
Transmission distance	30meters Bluetooth (Open distance)
Memoery	350Kb (over 20,000 Product code)
Battery capacity	360mAh
Charging time	About 1 hours(5V@1000mA)
Continuous scan period	≥2hours
Standby period	≥4 weeks
Supporting OS	Windows, Mac OS, IOS, Linux, Unix, Android,

Mechanical Specifications

Scanner weight	About 35g (without cable)
Package weight	About 125g
Scanner dimension	L52.0mm * W35.0mm * H45.4mm
Package Size	L120mm * W104mm * H40mm
Cable length	1.0m

Interface type	Type C
Working voltage	DC 5V
Working current	200mA (Average Work)

Working environment

Working	0°C to 50°C
Storage	-30°C to 60°C
Humidity	5% to 95% (non-condensing)
Transport vibration	10H@125RPM

Accessories

Cable	USB cable: used to connect scanner and host machine, charging and USB communication
Receiver	Used for wireless transmission
Brief Manual	Used for general purpose configuration

Typical Depth of Field

Format	Density	Min	Max
Code 39	0.1mm(4mil)	60mm	85mm
Code 39	0.25mm(10mil)	40mm	210mm
Code 39	1mm(40mil)	125mm	500mm
UPC/EAN	0.33mm(13mil)	50mm	270mm
QR Code	20.0mil	30mm	175mm

Data Matrix	10mil	50mm	110mm
PDF 417	6.8mil	40mm	150mm

Test condition: indoor temperature 25°C, environment brightness: 200LUX, PCS=0.9