

R2

4M P Series Industrial Barcode Reader

Available Models








8 mm focal length: R2-08W

12 mm focal length: R2-12W

16 mm focal length: R2-16W



Product Advantages

-  Adopts built-in deep learning algorithm to read codes with good robustness.
-  Adopts COMS global shutter sensor to provide high quality images.
-  Adopts multiple IO interfaces for input and output signals.
-  Adopts 14 LED lamps to provide light source.
-  Support polarized and non-polarized modes.
-  Adopts 2 LED aiming lamps for easy installation and code aiming.
-  Indicators on device display device status and code reading results.

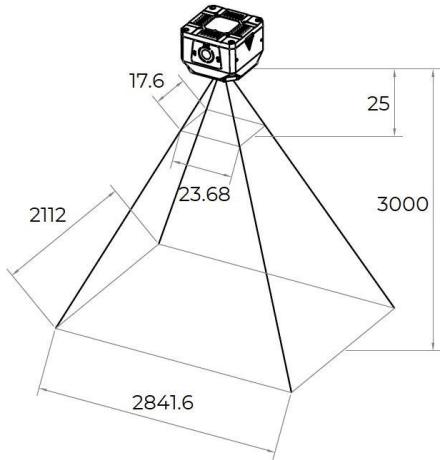


Application Scenarios

3C, Food And Drug, Electronic Semiconductor, Auto Parts, Intelligent Manufacturing, Express Storage And Logistics

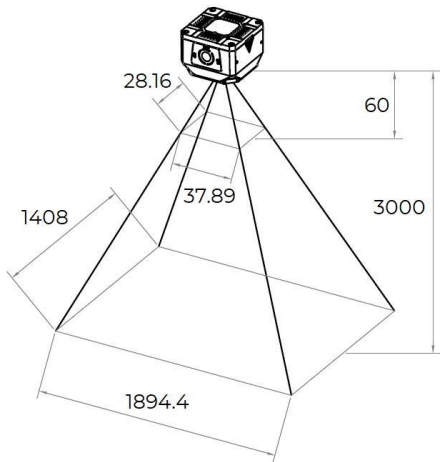
Specification Chart

8 mm focal length: R2-08W



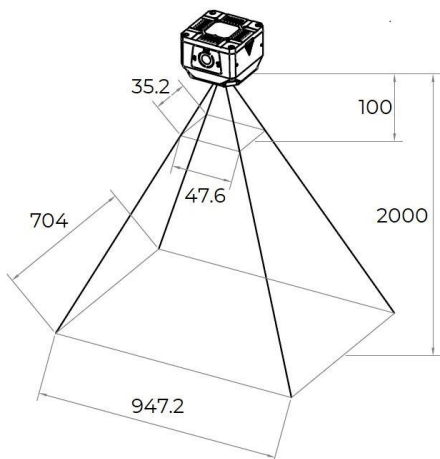
R2-08W			
Distance (mm)	Width	Height	FOV Horizontal/Vertical
25	23.68 mm	17.6 mm	50.7°
3000	2841.6 mm	2112 mm	38.8°

12 mm focal length: R2-12W



R2-12W			
Distance (mm)	Width	Height	FOV Horizontal/Vertical
60	37.89 mm	28.16 mm	35°
3000	1894.4 mm	1408 mm	26.4°

16 mm focal length: R2-16W



R2-16W			
Distance (mm)	Width	Height	FOV Horizontal/Vertical
100	47.36 mm	35.2 mm	26.6°
2000	947.2 mm	704 mm	20°

Product Specifications

Performance		
Image Sensor		2368 X 1760
Decode Capabilities	2D	PDF 417, Data Matrix, QR Code
	1D	Code 39, Code 93, Code 128, Codabar, EAN 8, EAN 13, UPCA, UPCE, ITF 14, ITF 25, Matrix 25, MSI, Code 11 and Industrial 25
Max. Frame Rate		30 fps
Max. Reading Speed		60 codes/sec
Sensor Type		CMOS, global shutter
Pixel Size		3.2 μm x 3.2 μm
Sensor Size		1/1.7 "
Exposure Time		16 μs ~ 1 sec
Gain		0 ~ 18 dB
Weight		Approx. 280 g (0.6 lb.)
Resolution		1D 3mil; 2D 5mil
Communication Protocol		SmartSDK, TCP Client, TCP Server, Serial, FTP, Profinet, Ethernet/IP, MELSEC, ModBus, Fins, SLMP
Data Interface		Fast Ethernet (100 Mbit/s)
Digital I/O		Including non-isolated input (LineIn 0/1/2) x 3, non-isolated output (LineOut 0/1/2) x 3, RS-232 input x 1, RS-232 output x 1. Device trigger via pressing button on top supported.
Power Supply		12 ~ 24 VDC
Max. Power Consumption		48W@24 VDC ((light source enabled))
Lens Mount		M12-mount, mechanical autofocus supported.
Typical Depth of Field		08mm:51*39; 12mm: 34*26; 16mm: 27*20
Lens Interface		M12-mount , Manual focus
Fill Light		6 independent control channels, totaling 14 white lights, half with polarizing lens cover
Light Source		Spotlight white light, available for purchase with spotlight red/blue light, wide-angle white/blue light
Indicator Light		Powerindicator(PWR),network indicator (LNK),status indicator(STS),result indicator (OK/NG)
Dimension		65.2 mm×65.2mm×47.2mm
Weight		Approx. 280 g (0.6 lb.)
Seal		IP67
Operating Temp		0°C~+50°C
Storage Temp		-30°C~+70°C
Humidity		20% to 95% RH, non-condensing
Regulatory		CE, FCC, RoHS

Contact Information



Shenzhen Rakinda Technologies Co., Ltd.

Tel: +86 18145816425

Email: contact@rakinda.com

WhatsApp: +8618145816425

Website:www.rakinda.com

Skype: Scanmax Rakinda

WeChat:+8618145816425

Add: 5F Bldg .A2.Lilang Software Park, No,31 Bulan Rd,
Longgang Dist,Shenzhen City,Guangdong Province, China